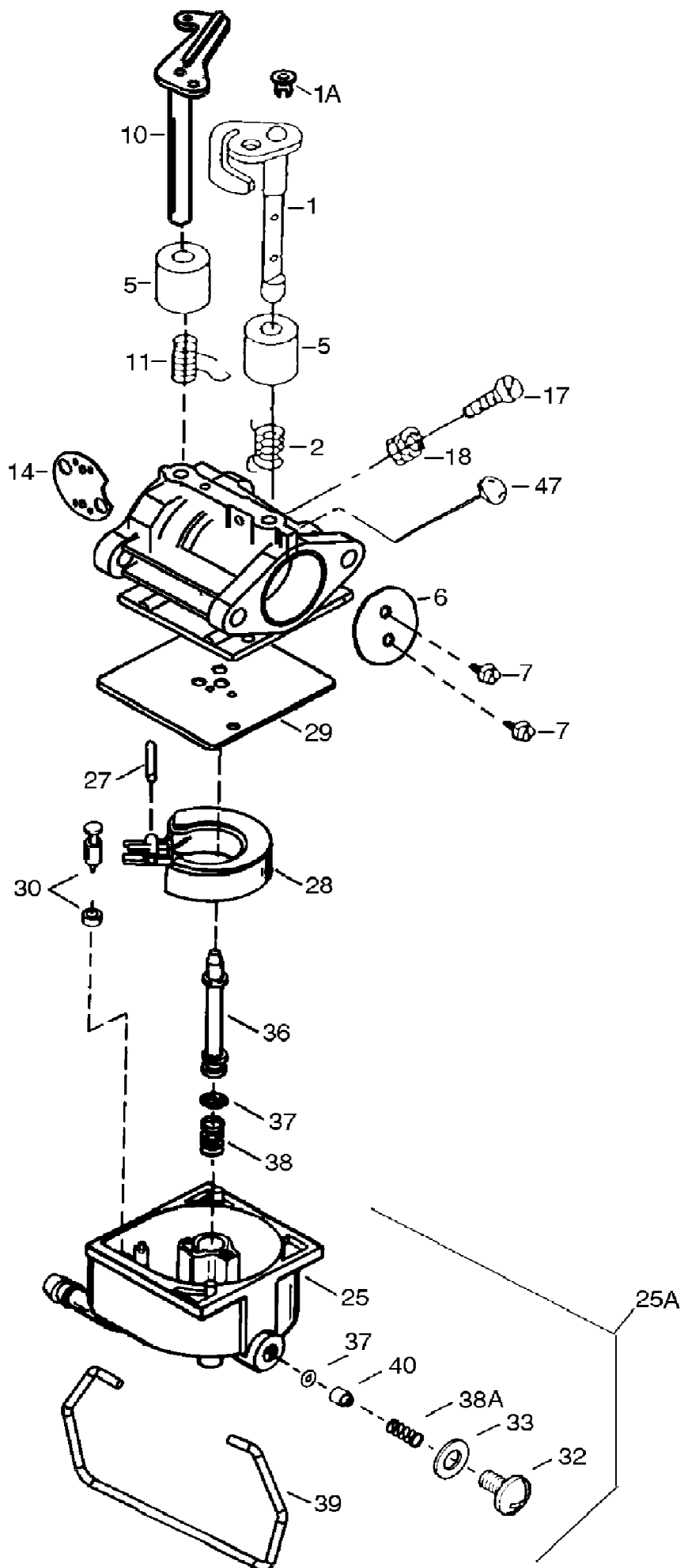


13A2683G790 LT-175 (2004)
Carburetor



13A2683G790 LT-175 (2004)
Carburetor

Page 2 of 30

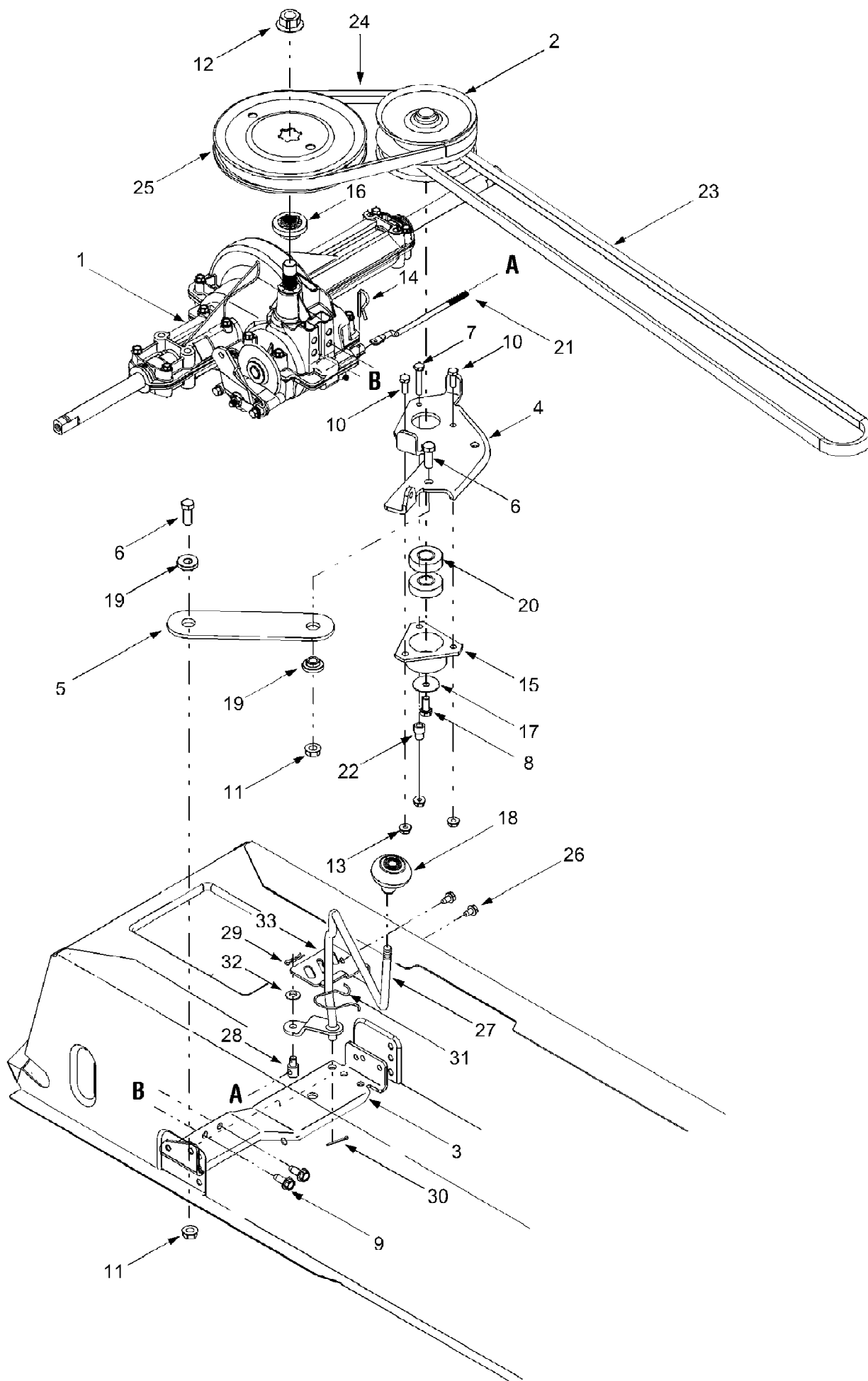
Ref #	Part Number	Qty	S/P/F	Description
	TC-640330	1	S	Carburetor (Incl 184 of Engine Parts Lists)
1	TC-640035	1		Throttle Shaft & Lever Assembly
1A	TC-36288	1		Throttle Link Bushing
2	TC-640036	1		Throttle Return Spring
5	TC-640037	1		Dust Seal
6	TC-640332	1		Throttle Shutter
7	TC-650506	1		Throttle Shutter Screws
10	TC-640044	1		Choke Shaft & Lever Assembly
11	TC-632785	1		Choke Return Spring
14	TC-640913	1		Choke Shutter
17	TC-651025	1		Throttle Crack Screw/Idle Speed Screw
18	TC-630766	1		Tension Spring
25	TC-640331	1		Float Bowl Assembly
25A	TC-630334	1		Bowl Kit
27	TC-632544	1		Float Shaft
28	TC-632543	1	/P	Float
29	TC-640047	1	/P	Float Bowl to Body Gasket
30	TC-632709	1	/P	Inlet Needle & Seat
32	TC-640041	1		Bowl Drain Screw
33	TC-27110A	1		Bowl Drain Washer
36	TC-640067	1		Main Nozzle Tube
37	TC-632547	1		O-Ring
38	TC-632545	1	/P	Spring, Main Nozzle Tube
38A	TC-36918	1		Spring
39	TC-640218A	1		Float Bowl Retainer
40	TC-632788	1		Main Fuel Jet
47	TC-630748	1		Welch Plug, Idle Mixing Well
	TC-611221	1	/P	Fuel Solenoid Shut Off Not Shown

13A2683G790 LT-175 (2004)
Deck Assembly

Page 4 of 30

Ref #	Part Number	Qty	S/P/F	Description
1	618-0142A	1	S	Spindle Assembly
2	683-04035A	1	S	Deck Shell
3	710-0726	1	/P	Self-tapping Screw, 5/16-12 x .75
4	710-1260A	1	/P	Screw, 5/16-18 x .75
5	710-1611B	1	/P	Self-tapping Screw, 5/16-18 x .75
6	712-0417A	1	/P	Hex Flange Nut, 5/8-18
7	714-04023	1	S	Internal Cotter Pin, .080 x 1.56
8	742-0616A	1	S	Blade, 21.23"
9	747-04018A	1	S	Deck Hanger Link/Anti-sway Rod
10	754-0371A	1	S	Deck Belt
11	783-04149B	1		Belt Cover
12	783-04211	1	S	Anti-sway Stabilizer Bracket
13	712-0431	1	S	Flange Lock Nut, 3/8-16
14	734-0973	1	/P	Deck Wheel, 5 x 1.38
15	738-0373	1	S	Shoulder Screw, .498 x 1.53
16	731-1032	1	S	Discharge Chute Assembly
17	710-0751	1	/P	Hex Cap Screw:1/4-20 x .620
18	736-0270	1	/P	Bell Washer, .265 x .75 x .062
19	712-3006	1	/P	Hex Nut, 1/4-20
20	726-0233	1	/P	Push Nut, 1/4

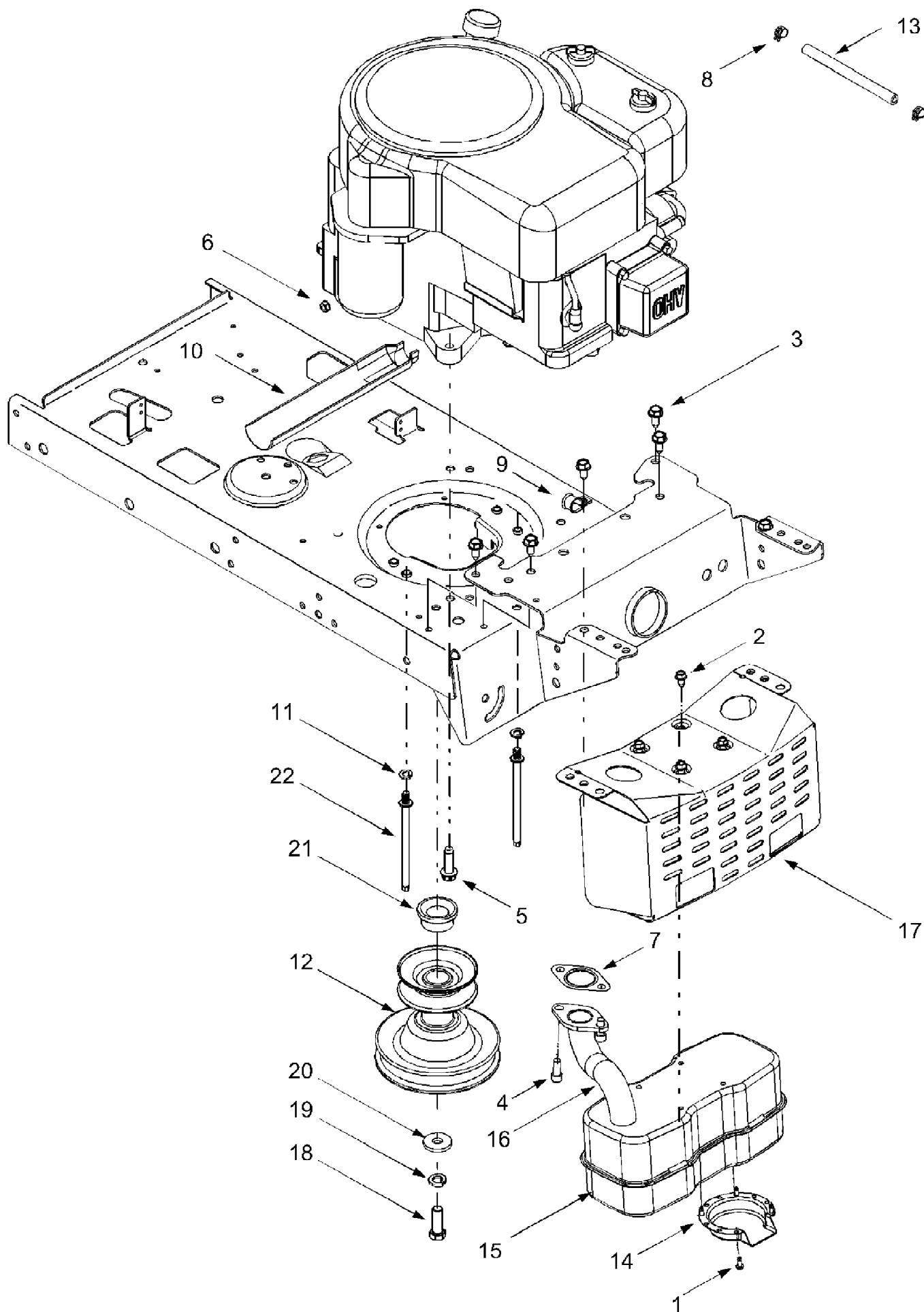
13A2683G790 LT-175 (2004)
Drive



13A2683G790 LT-175 (2004)
Drive

Page 6 of 30

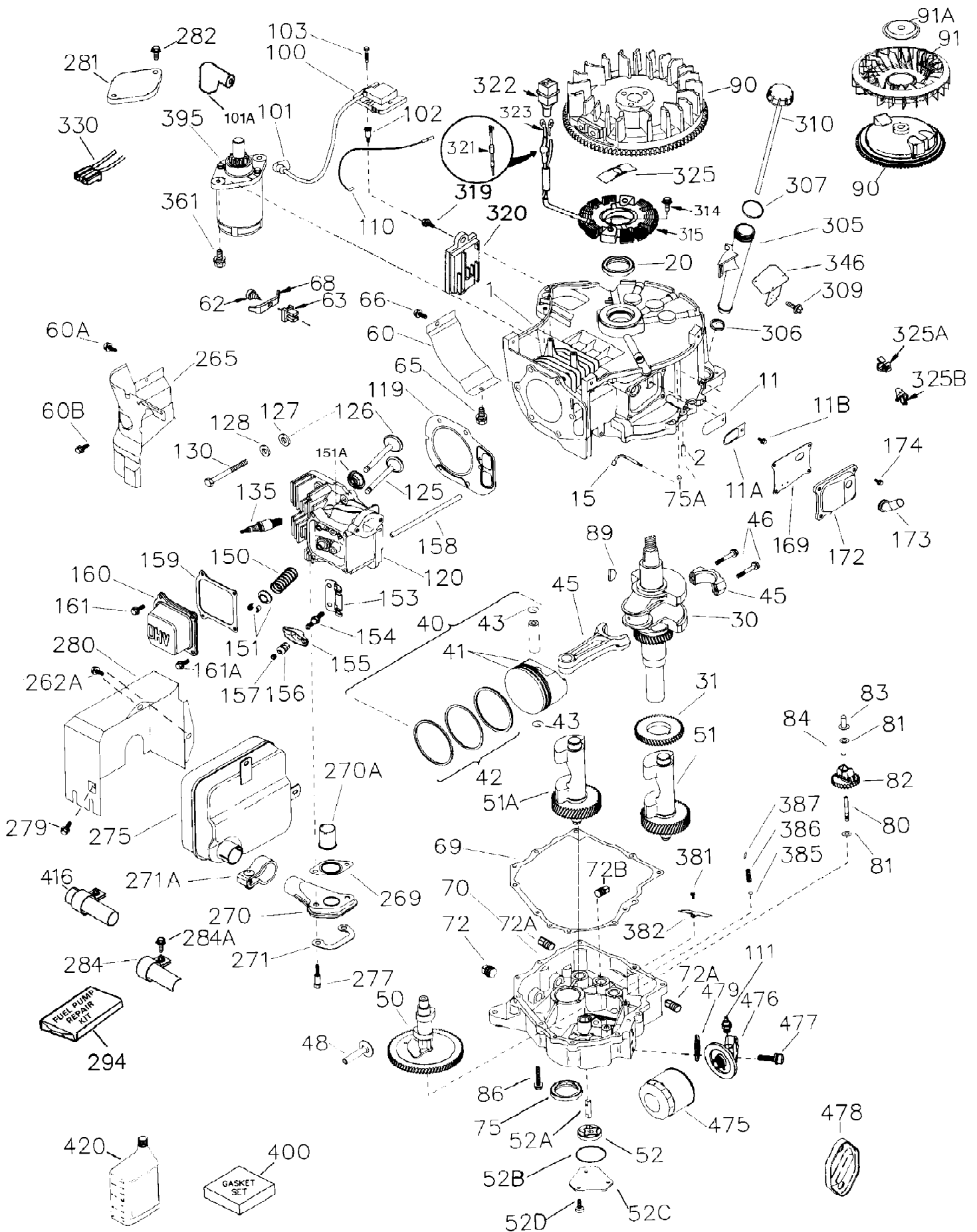
Ref #	Part Number	Qty	S/P/F	Description
1	618-04034	1	S	Transmission, Single-speed
2	656-0059A	1	S	Variable-speed Pulley, 4.75
3	683-04055	1	S	Torque Bracket
4	683-04056	1		Variable-speed Bracket
5	683-04057	1		Variable-speed Bracket
6	710-0514	1	/P	Hex Cap Screw, 3/8-16 x 1.0
7	710-0606	1	/P	Hex Cap Screw, 1/4-20 x 1.5
8	710-0627	1	/P	Hex Cap Screw, 5/16-24 x .75
9	710-1260A	1	/P	Screw, 5/16-18 x .75
10	710-3015	1	/P	Hex Screw, 1/4-20 x .75
11	712-0431	1	S	Flange Lock Nut, 3/8-16
12	712-0700	1	/P	Flange Nut, 9/16-18
13	712-3027	1	S	Flange Lock Nut, 1/4-20
14	714-0209	1	S	Internal Cotter Pin, .125
15	718-04012	1	/P	Bearing Cup
16	718-0758A	1	S	Pulley Hub, 5/8 Spline
17	736-0362	1	/P	Flat Washer, .320 x 1.25 x .06
18	720-04028	1		Shift Knob
19	738-0372B	1	/P	Shoulder Spacer, 1.0 x .38 x .38
20	741-0600	1	S	Ball Bearing, 17 x 40 x 12
21	747-04072	1		Shift Rod
22	750-04099	1	S	Stepped Spacer
23	754-04001A	1	S	Lower Drive Belt
24	754-04002	1	S	Upper Drive Belt
25	756-04002	1	S	Transmission Pulley, 7.25
26	710-0599	1	/P	Self-tapping Screw, 1/4-20 x .5
27	647-04019	1		Shift Lever Assembly
28	711-0736	1	/P	Ferrule, 1/4-20 x 1.0
29	714-0104	1	S	Cotter Pin, 1.13
30	714-0470	1	S	Cotter Pin, 1.25
31	732-04067	1	S	Spring Compression Clip
32	736-0275	1	S	Flat Washer, .344 x .688 x .065
33	17630A	1	S	Shift Lever Retainer



13A2683G790 LT-175 (2004)
Engine Accessories

Page 8 of 30

Ref #	Part Number	Qty	S/P/F	Description
1	710-0148	1	/P	Screw, #8-32 x .375
2	710-0599	1	/P	Self-tapping Screw, 1/4-20 x .5
3	710-0726	1	/P	Self-tapping Screw, 5/16-12 x .75
4	710-1314A	1	/P	Socket Cap Screw, 5/16-18 x .
5	710-1315	1	/P	Self-tapping Screw, 3/8-16 x 1.25
6	712-0271	1	/P	Hex Sems Nut, 1/4-20
7	721-0348	1		Exhaust Gasket
8	726-0205	1	/P	Hose Clamp, .490
9	726-0272	1	/P	Clamp, 9/16
10	731-1682A	1	/P	Oil Drain Sleeve
11	736-0119	1	S	Lock Washer, 5/16
12	956-04023	1	/P	Engine Pulley, 3.39 X 5.56
13	751-0535	1		Fuel Line Hose
14	751-0564	1	S	Muffler Deflector
15	751-0617	1	S	Muffer, Single Inlet
16	751-0620	1	S	Exhaust Pipe
17	783-0615B	1	S	Muffler Heat Shield
18	710-3029	1	/P	Hex Screw, 7/16-20 x 1.25
19	736-0171	1	S	Lock Washer, 7/16
20	736-0322	1	/P	Flat Washer, .450 x 1.25 x .164
21	750-0956	1		Spacer, 1.0 x 1.4 x .825
22	711-1044	1	S	Belt Keeper Pin, 5/16 x 4.75



13A2683G790 LT-175 (2004)
Engine List 1

Page 10 of 30

Ref #	Part Number	Qty	S/P/F	Description
2	TC-27652	1		Dowel Pin
11	TC-36302	1		Check Valve
11A	TC-36303	1		Breather Plate
11B	TC-650902	1		Screw, 10-32 x 7/16"
15	TC-37754	1		Governor Rod
20	TC-36301	1	/P	Oil Seal
30	TC-36512	1		Crankshaft
31	TC-36515	1		Counterbalance Gear
40	TC-36312	1		Piston, Pin & Ring Set (Std.)
40	TC-36313	1		Piston, Pin & Ring Set (.010" OS)
40	TC-36314	1		Piston, Pin & Ring Set (.020" OS)
41	~N/A	1		Piston & Pin Ass'y (Std.) (.010" OS) (.020" OS) (Incl. 43)
42	TC-36315	1		Ring Set (Std.)
42	TC-36316	1		Ring Set (.010" OS)
42	TC-36317	1		Ring Set (.020" OS)
43	TC-35772	1		Piston Pin Retaining Ring
45	TC-36318A	1		Connecting Rod (Incl. 46)
45	TC-36319A	1		Connecting Rod Ass'y. (.010" US) (Incl. 46)
45	TC-36320A	1		Connecting Rod Ass'y. (.020" US) (Incl. 46)
46	TC-651063	1		Connecting Rod Bolt
48	TC-36321	1		Valve Lifter
50	TC-36533A	1		Camshaft (MCR)
51	TC-36513	1		Counterbalance Weight
51A	TC-36514	1		Counterbalance Weigh
52	TC-37305	1		Oil Pump Ass'y.
52A	TC-36331	1		Oil Pump Shaft
52B	TC-36333	1		"O" Ring Kit (P)
52C	TC-36334	1		Oil Pump Cover (Incl. 52B)
52D	TC-650888	1		Screw, T-30, 1/4-20 x 43/64"
60	TC-36361	1		Air Baffle
60A	TC-650273	1		Screw, 5-16/18 x 17/32"
60B	TC-650867	1		Screw, 10-24 x 1/2"
62		1		UNKNOWN
63		1		UNKNOWN
65	TC-30063	1		Screw, T-30, 1/4-20 x 1/2"
66	TC-650737	1		Screw, 1/4-20 x 1/2"
68		1		UNKNOWN
69	TC-36565	1		Mounting Flange Gasket Kit (P)
70	TC-37304A	1		Mounting Flange (Incl. 72B, 75, 80, 381-387)
72		1		UNKNOWN
72A	TC-28483	1		Oil Drain Plug
72B	TC-28534	1		Pipe Plug
75	TC-36301	1	/P	Oil Seal 75A TC-510337 Oil Seal
75A		1		UNKNOWN
80	TC-35712	1		Governor Shaft
81	TC-35479A	1		Washer
82	TC-37756	1		Governor Gear Ass'y.
83	TC-35322	1		Governor Spool
84	TC-29193	1		Retaining Ring
86	TC-650970	1		Screw, 1/4-20 x 1-15/32"
89	TC-650592	1		Flywheel Key

13A2683G790 LT-175 (2004)
Engine List 1

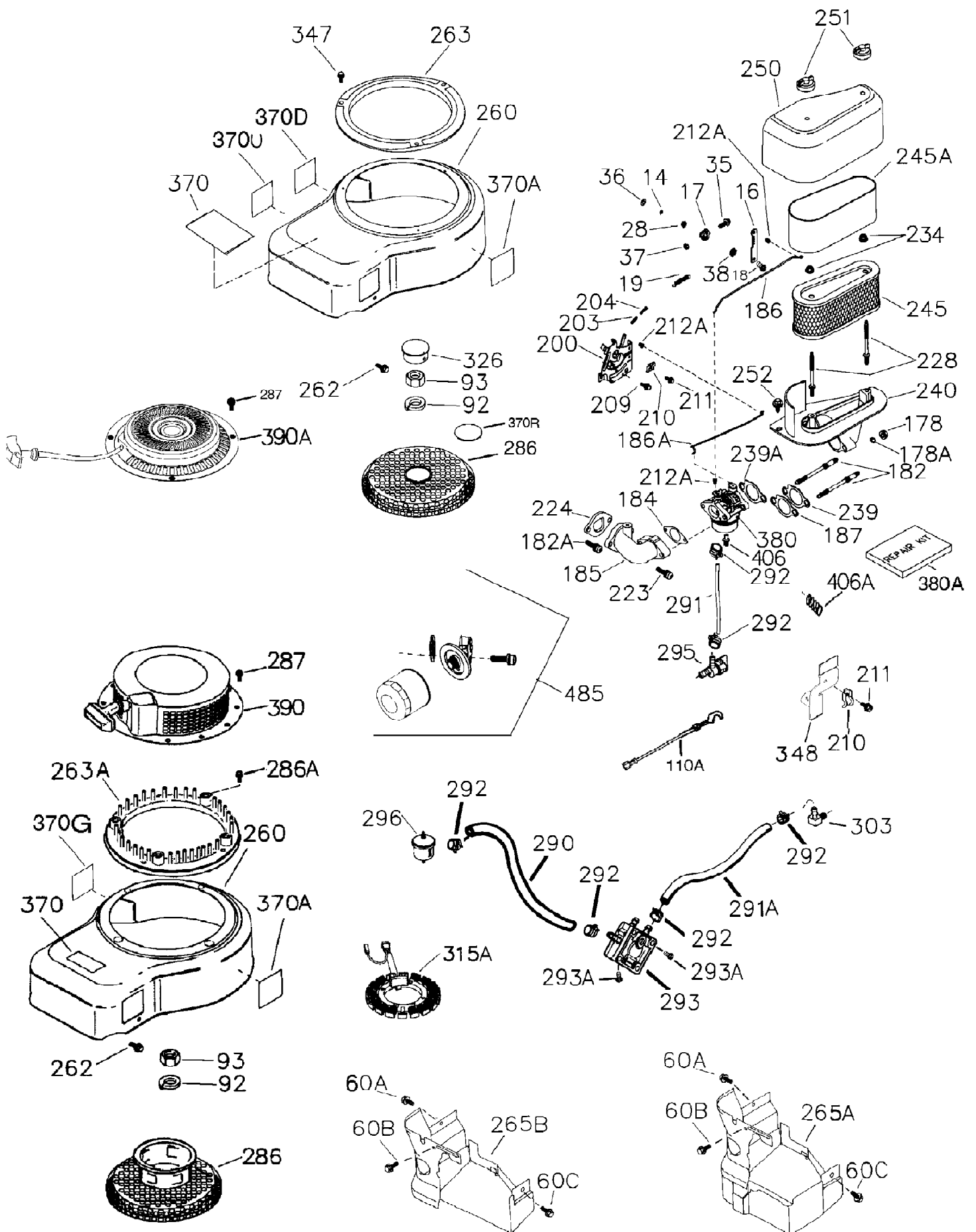
Page 11 of 30

Ref #	Part Number	Qty	S/P/F	Description
90	TC-611243	1		Flywheel
91	TC-611241	1	S	Flywheel Fan
91A	TC-611242	1		Flywheel Fan Retainer
100	TC-36344A	1	/P	Solid State Ignition (Incl. 101)
101	TC-610118	1		Spark Plug Cover
101A		1		UNKNOWN
102	TC-651024	1		Solid State Mounting Stud
103	TC-651007	1		Screw, T-15, 10-24 x 15/16"
110	TC-37494	1		Ground Wire
111		1		UNKNOWN
119	TC-37493	1		Cylinder Head Gasket Kit (P)
120	TC-37757	1		Cylinder Head (Incl. 119, 151A & 270A)
125	TC-35308	1		Exhaust Valve (Std.)
125	TC-35433	1		Exhaust Valve (1/32" OS)
126	TC-35309	1		Intake Valve (Std.)
127	TC-650691	1		Washer
128	TC-650690	1		Belleville Washer
130	TC-650946	1		Screw, 5/16-18 x 2-45/64"
135	TC-34645	1	/P	Resistor Spark Plug (RN4C)
150	TC-33507	1		Valve Spring
151	TC-33508	1		Valve Spring Keeper
151A	TC-40046	1		Intake Valve Seal
153	TC-36339	1		Push Rod Guide
154	TC-651077	1		Rocker Arm Stud
155	TC-35950	1		Rocker Arm
156	TC-36341	1		Rocker Arm Bearing
157		1		UNKNOWN
158	TC-36340	1		Push Rod
159	TC-35952	1	/P	Rocker Arm Cover Gasket Kit (P)
160	TC-35953A	1		Rocker Arm Housing
161	TC-30063	1		Screw, T-30, 1/4-20 x 1/2"
161A		1		UNKNOWN
169	TC-36304	1		Breather Gasket Kit (P)
172	TC-36305	1		Valve Cover
173	TC-36306	1		Breather Tube
174	TC-30063	1		Screw, T-30, 1/4-20 x 1/2"
262A		1		UNKNOWN
265	TC-36615	1		Cylinder Head Cover
269		1		UNKNOWN
270		1		UNKNOWN
270A	TC-35829A	1		Exhaust Port Liner
271		1		UNKNOWN
271A		1		UNKNOWN
275		1		UNKNOWN
277		1		UNKNOWN
279		1		UNKNOWN
280		1		UNKNOWN
281		1		UNKNOWN
282		1		UNKNOWN
284		1		UNKNOWN
284A		1		UNKNOWN
294	TC-35791	1		Pulse Pump Repair Kit
305	TC-36349	1		Oil Filter

13A2683G790 LT-175 (2004)
Engine List 1

Page 12 of 30

Ref #	Part Number	Qty	S/P/F	Description
306	TC-37401	1		"O" Ring Kit (P)
307	TC-35499	1	/P	"O" Ring
309	TC-650974	1		Screw, 1/4-20 x 57/64"
310	TC-36366	1		Dipstick
314	TC-651007	1		Screw, T-15, 10-24 x 15/16"
315	TC-611280	1	/P	Alternator Coil (3/5 Split) (Incl. 321, 322 & 323)
319		1		UNKNOWN
320		1		UNKNOWN
321	TC-611161	1	/P	Diode
322	TC-611281	1		Connector Body
323	TC-611282	1		Terminal
325	TC-36342	1		Wire Clip
325A		1		UNKNOWN
325B	TC-37230	1		Wire Clip
330		1		UNKNOWN
346	TC-36413	1		Fuel Pump Bracket
361	TC-650969	1		Screw, 15/16-18 x 29/32"
381	TC-650767	1		Screw, 8-32 x 27/64"
382	TC-36328	1		Oil Strainer Screen
385	TC-570673	1		Ball
386	TC-36329	1		Pressure Relief Spring
387	TC-37652	1		Cotter Pin
395	TC-36795	1	/P	Electric Starter Motor (12 Volt)
400	TC-37496	1		Gasket Set (Incl. Items Marked PK in Notes)
416		1		UNKNOWN
420		1		UNKNOWN
475	TC-36563	1	/P	Oil Filter
476	TC-37789	1		Oil Filter Adapter (Incl. 477 & 479)
477	TC-651087	1		Screw, T-30, 5/16-18 x 2"
478		1		UNKNOWN
479	TC-36335	1		Oil Filter Adapter Gasket



13A2683G790 LT-175 (2004)
Engine List 2

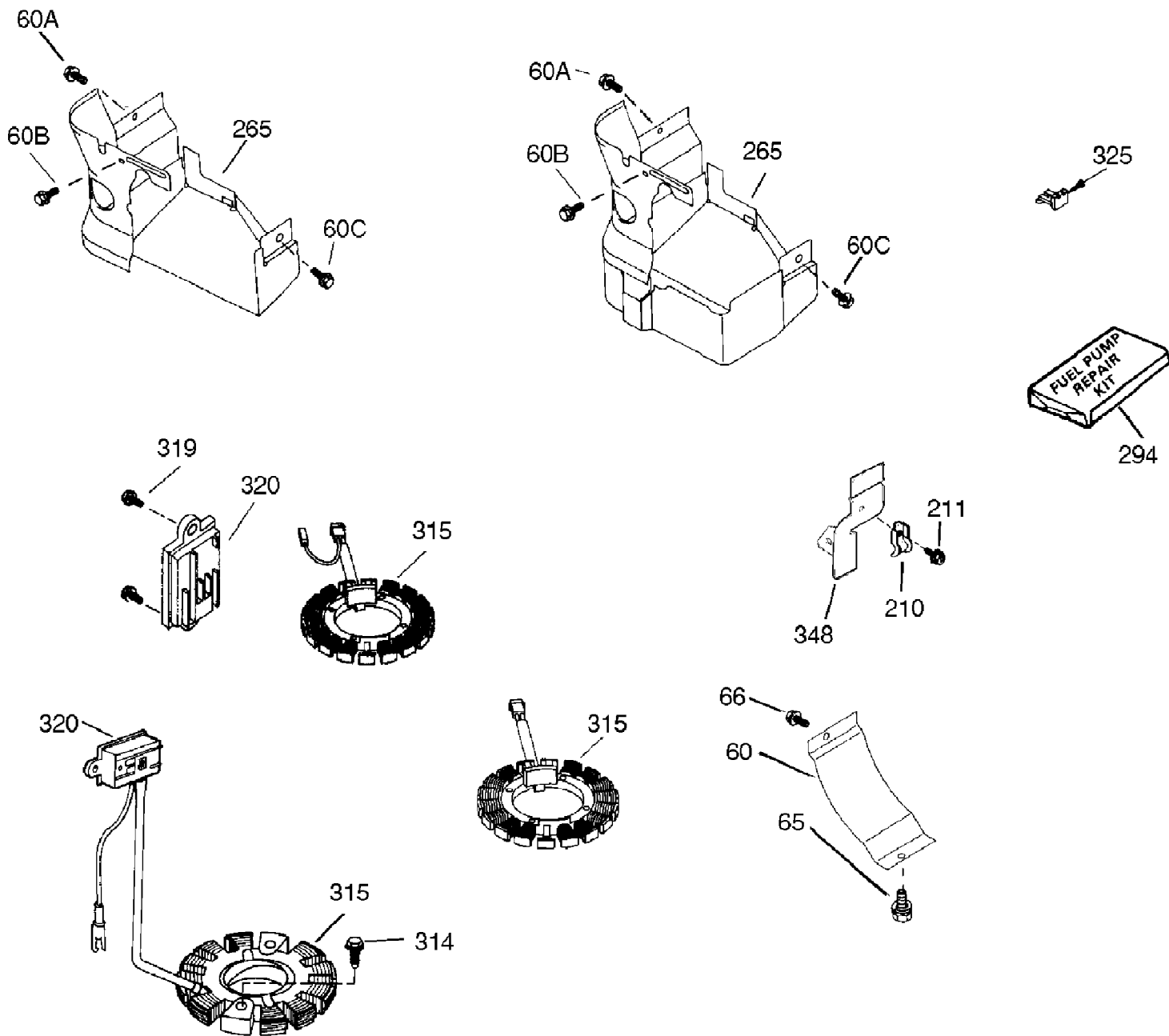
Page 14 of 30

Ref #	Part Number	Qty	S/P/F	Description
14	TC-651052	1		Washer
16	TC-37758	1		Governor Lever
17	TC-29916	1		Governor Lever Clamp
18	TC-651028	1		Screw, T-15, 8-32 x 7/16"
19	TC-37766	1		Extension Spring
28	TC-30322	1		Lock Nut, 8-32
35	TC-29826	1		Screw, 10-32 x 3/4"
36	TC-29918	1		Lock Washer
37	TC-29216	1		Lock Nut, 10-32
38	TC-37109	1		Retaining Ring
60A	TC-650273	1		Screw, 5-16/18 x 17/32"
60B	TC-650867	1		Screw, 10-24 x 1/2"
60C	TC-650737	1		Screw, 1/4-20 x 1/2"
92	TC-651082	1		Belleville Washer
93	TC-650594	1		Flywheel Nut
110A	TC-36917	1		Ground Wire & Terminal
178	TC-650928	1		Wing Nut, 1/4-20
178A		1		UNKNOWN
182	TC-650925A	1		Carburetor Mounting Stud
182A		1		UNKNOWN
184	TC-36352	1	/P	Carburetor To Intake Pipe Gasket Kit (P)
185	TC-37767	1		Intake Pipe
186	TC-36354	1		Governor Link
186A	TC-36353	1		Choke Link
187		1		UNKNOWN
200	TC-36360	1		Control Bracket (Incl. 203, 204, 212A)
203	TC-36482	1		Compression Spring
204	TC-651019	1		Screw, T-10, 6-32 x 41/64"
209	TC-650902	1		Screw, 10-32 x 7/16"
210	TC-27793	1	/P	Conduit Clip
211	TC-28942	1	/P	Screw, 10-32 x 3/8"
212A	TC-36288	1		Bushing
223	TC-650975	1		Screw, T-30, 5/16-18 x 1-9/32"
224	TC-36490	1		Intake Pipe Gasket Kit (P)
228	TC-650977	1		Air Cleaner Stud
234	TC-650825	1	/P	Nut & Lock Washer, 1/4-20
239	TC-36358	1	/P	Air Cleaner Gasket Kit (P)
239A		1		UNKNOWN
240	TC-36355	1		Air Cleaner Body (Incl. 228 & 239)
245	TC-36356	1	/P	Air Cleaner Filter (Incl. 229)
245A	TC-36357	1	/P	Air Cleaner Filter
250	TC-36359	1	S	Air Cleaner Cover
251	TC-650886	1	/P	Wing Nut, 1/4-20
252	TC-650976	1		Screw, 1/4-20 x 19/32"
260	TC-36347	1		Blower Housing
262	TC-650737	1		Screw, 1/4-20 x 1/2"
263A		1		UNKNOWN
263	TC-36367	1		Trim Ring (Black)
265A		1		UNKNOWN
265B		1		UNKNOWN
286	TC-36343	1		Cup & Screen
286A		1		UNKNOWN
287		1		UNKNOWN

13A2683G790 LT-175 (2004)
Engine List 2

Page 15 of 30

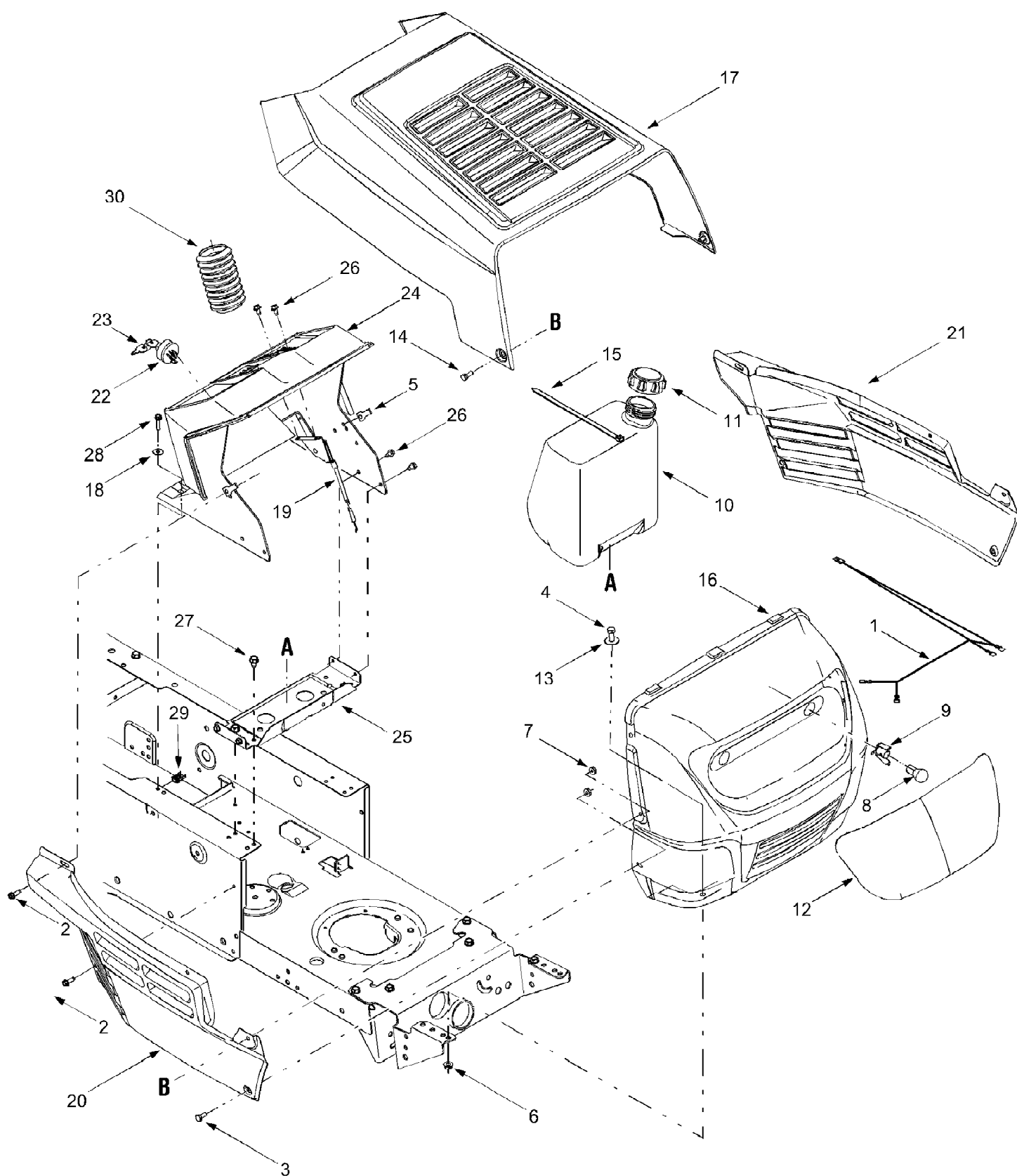
Ref #	Part Number	Qty	S/P/F	Description
290		1		UNKNOWN
291	~N/A	1		Fuel Line
291	TC-30705	1	/P	Fuel Line
291A	~N/A	1		Fuel Line
292	TC-26460	1	/P	Fuel Line Clamp
293	TC-35787	1	S	Pulse Pump (Incl. 294)
293A	TC-650931	1		Screw, 8-32 x 1-1/2"
295		1		UNKNOWN
296	TC-37768	1	/P	Fuel Filter (Incl. 292)
303	TC-32958	1		Fuel Fitting
315A		1		UNKNOWN
326	TC-36210	1		Screen Plug
347	TC-650949	1		Screw, 10-24 x 9/16"
348		1		UNKNOWN
370		1		UNKNOWN
370A		1		UNKNOWN
370D		1		UNKNOWN
370R		1		UNKNOWN
370U		1		UNKNOWN
370G	TC-35274	1		Oil Instruction Decal 370R TC-36534 Warning Decal
380	TC-640330	1	S	Carburetor (Incl. 184 & 212A)
380A		1		UNKNOWN
390		1		UNKNOWN
390A		1		UNKNOWN
406		1		UNKNOWN
406A		1		UNKNOWN
485		1		UNKNOWN



13A2683G790 LT-175 (2004)
Engine List 3

Page 17 of 30

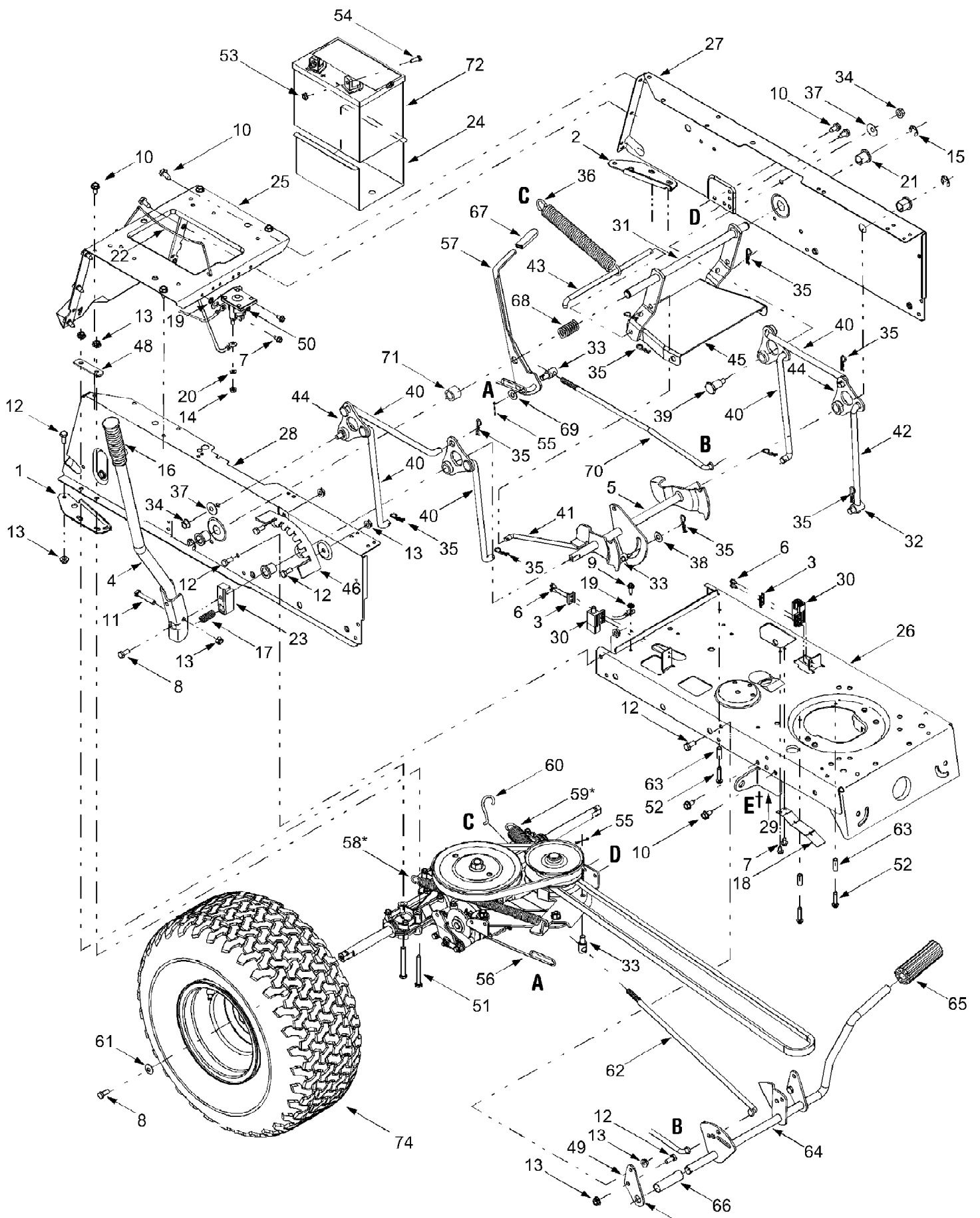
Ref #	Part Number	Qty	S/P/F	Description
60	TC-36361	1		Air Baffle
60A	TC-650273	1		Screw, 5-16/18 x 17/32"
60B	TC-650867	1		Screw, 10-24 x 1/2"
60C	TC-650737	1		Screw, 1/4-20 x 1/2"
65	TC-30063	1		Screw, T-30, 1/4-20 x 1/2"
66	TC-650737	1		Screw, 1/4-20 x 1/2"
210	TC-27793	1	/P	Conduit Clip
211	TC-28942	1	/P	Screw, 10-32 x 3/8"
265	TC-36615	1		Cylinder Head Cover
294	TC-35791	1		Pulse Pump Repair Kit
314	TC-651007	1		Screw, T-15, 10-24 x 15/16"
315	TC-611280	1	/P	Alternator Coil (3/5 Split) (Incl. 321, 322 & 323)
319		1		UNKNOWN
320		1		UNKNOWN
325	TC-36342	1		Wire Clip
348		1		UNKNOWN



13A2683G790 LT-175 (2004)
Hood Assembly

Page 19 of 30

Ref #	Part Number	Qty	S/P/F	Description
1	629-0469B	1	S	Headlamp Harness Assembly
2	710-0642	1	/P	Self-tapping Screw, 1/4-20 x .75
3	710-0751	1	/P	Hex Screw, 1/4-20 x .620
4	710-3008	1	/P	Hex Screw, 5/16-18 x .75
5	712-0185	1		U-type Speed Nut, 1/4-20
6	712-0429	1	S	Lock Nut, 5/16-18
7	712-0324	1	/P	Lock Nut, 1/4-20
8	725-0963	1	S	Headlamp, 12V
9	725-1651	1	S	Headlamp Socket
10	751-0555B	1	/P	Fuel Tank, 1.5 gal.
11	751-0603	1	S	Fuel Tank Cap
12	731-1503A	1	S	Lens
12	726-04077	1		Nut, Push 3/32
13	736-3078	1	/P	Flat Washer, .344 x 1.0 x .063
14	738-0952A	1	S	Shoulder Screw, 1/4-20 x .375 /.125
15	726-0230	1	/P	Cable Tie, 34.75
16	783-0156B	1	/P	Grille
17	783-0250A	1	/P	Hood w/ Louvers
18	736-3090	1	/P	Flat Washer, .260 x .720 x .060
19	746-04020A	1		Throttle / Choke Control, 18.5"
20	783-0150B	1	/P	RH Side Panel
21	783-0151B	1		LH Side Panel
22	725-1396	1	S	Ignition Switch, 6-pin
23	725-0201	1	S	Keys (pair)
24	731-04179	1	S	Dash Panel
25	17632D	1	S	Battery Support Bracket
26	710-0599	1	/P	Self-tapping Screw, 1/4-20 x .5
27	710-0607	1	/P	Self-tapping Screw, 5/16-18 x .5
28	710-0788	1	/P	Self-tapping Screw, 1/4-20 x 1.0
29	726-3054	1		U-type Speed Nut, 1/4-20
30	731-0954	1	S	Steering Bellow, 4.75"



* Attach the ends of springs (Ref. 58 & Ref. 59)
to the notch openings in the rear of Ref. 25.

13A2683G790 LT-175 (2004)
Rear Drive And Frame

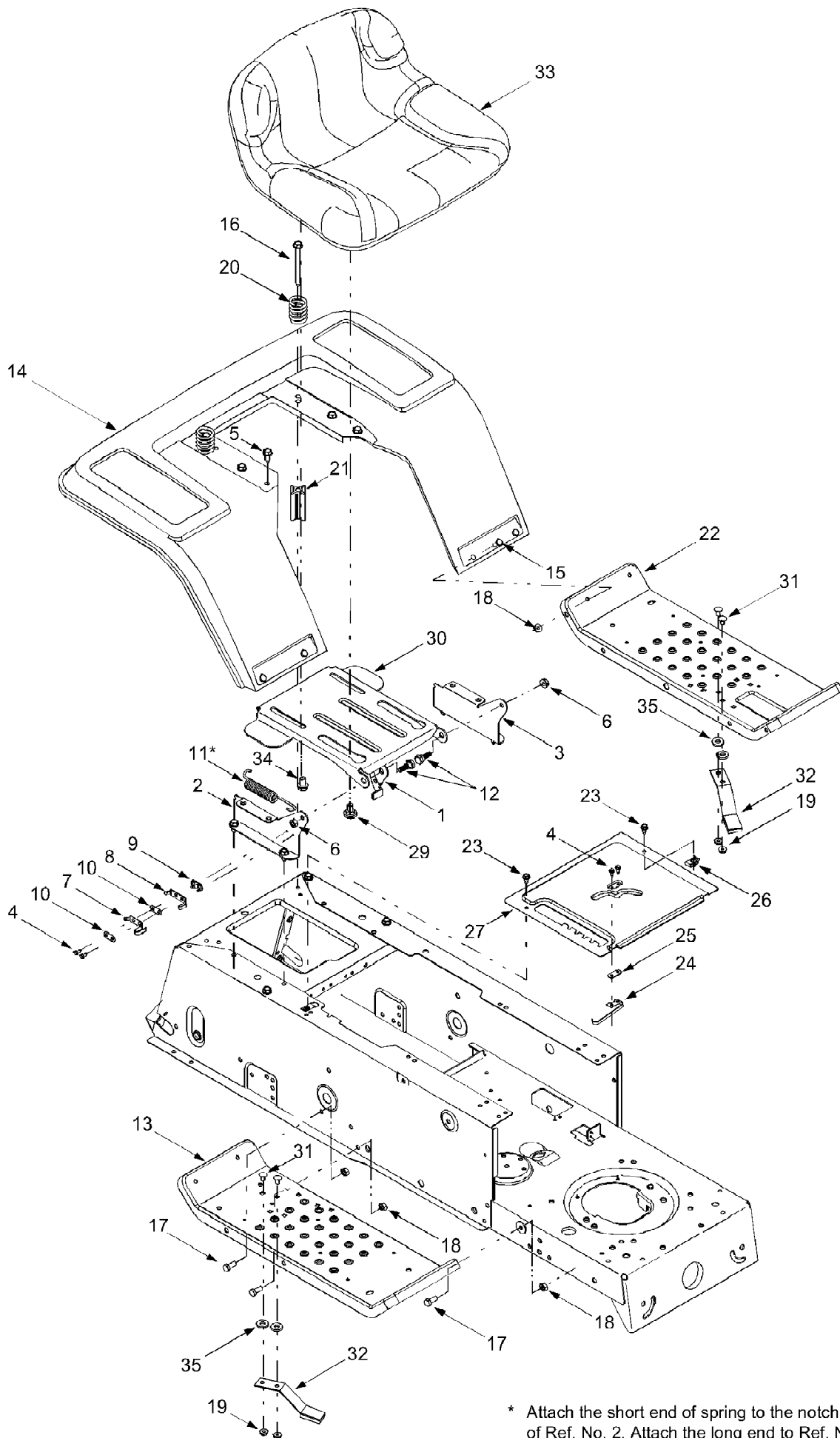
Page 21 of 30

Ref #	Part Number	Qty	S/P/F	Description
1	17668A	1	S	RH Axle Support Bracket
2	17669A	1	S	LH Axle Support Bracket
3	17962	1		Switch Plate
4	683-04025	1		Lift Handle Assembly
5	683-04049	1	S	Lift Shaft Assembly
6	710-0224	1	S	Self-tapping Screw, #10-16 x .5
7	710-0599	1	/P	Self-tapping Screw, 1/4-20 x .5
8	710-0627	1	/P	Hex Cap Screw, 5/16-24 x .75
9	710-0642	1	/P	Self-tapping Screw, 1/4-20 x .75
10	710-0726	1	/P	Self-tapping Screw, 5/16-12 x .75
11	710-3180	1	/P	Hex Cap Screw, 5/16-18 x 1.75
12	710-3008	1	/P	Hex Screw, 5/16-18 x .75
13	712-0429	1	S	Hex Lock Nut, 5/16-18
14	712-3006	1	/P	Hex Nut, 1/4-20
15	716-0106	1	/P	E-Ring, .625 Dia Shaft
16	720-0233	1	S	Handle Grip
17	732-0369	1	S	Compression Spring, .55 x 1.37
18	732-0750A	1	S	Switch Actuator Spring
19	736-0222	1	S	External Lock Washer, 1/4
20	736-0329	1	S	Lock Washer, 1/4
21	741-0487A	1	S	Flange Bearing, .632 ID
22	747-04031	1		Battery Hold-down Rod
23	748-04011A	1	S	Lift Shaft Connector
24	783-0345	1	S	Battery Tray
25	783-0355D	1	F	Hitch Plate
26	783-04011A	1		Lower Frame
27	783-04031	1	S	LH Upper Frame Side Panel
28	783-04032	1		RH Upper Frame Side Panel
29	783-04213	1	S	Deck Anti-sway Bracket
30	725-04039	1	S	Screw-mount Interlock Switch
31	683-04048	1	S	Stabilizer Shaft Assembly
32	711-04036	1	S	Ferrule, 1/2-20 x .50
33	711-04075A	1	S	Ferrule, 3/8-24 x .375
34	712-0130	1	/P	Hex Lock Nut, 3/8-16
35	714-04023	1	S	Internal Cotter Pin, .080 x 1.56
36	732-04050A	1	S	Extension Spring, 1.07 x 9.52
37	736-0219	1	S	Bell Washer, .389 x 1.12 x .030
38	736-0267	1	S	Flat Washer, .385 x .87 x .060
39	738-0322	1	S	Shoulder Bolt, .625 x .217
40	747-04018A	1	S	Deck Hanger Link
41	747-04040A	1		Deck Disengagement Rod
42	747-04069A	1	/P	Deck Hanger Link
43	747-04157	1		Rear Stabilizer Rod
44	748-04010	1	S	Lift Link
45	783-04294	1	S	Deck Stabilizer Bracket
46	783-04113	1	S	Deck Lift Index Bracket
47	17630A	1	S	Shift Lever Retainer
48	17840	1	S	Transaxle Mounting Bracket
49	17860	1	S	Pedal Mounting Bracket
50	725-1426	1	S	Solenoid
51	710-0176	1	/P	Hex Cap Screw, 5/16-18 x 2.75
52	710-0809	1		Self-tapping Screw, 1/4-20 x 1.25
53	712-0271	1		Self-tapping Screw, 1/4-20

13A2683G790 LT-175 (2004)
Rear Drive And Frame

Page 22 of 30

Ref #	Part Number	Qty	S/P/F	Description
54	710-3015	1	/P	Hex Screw,1/4-20 x .75
55	714-0470	1	S	Cotter Pin
56	732-04029	1	S	Extension Spring, .59 x 12.38
57	783-04059	1		Speed Select Lever
58	732-04075A	1	S	Extension Spring, .73 x 12.54
59	732-04076	1	S	Extension Spring, 1.15 x 7.90
60	732-0722A	1	S	Brake Return Spring
61	736-0242	1	/P	Bell Washer, .34 x .872 x .060
62	747-04043	1		Variable Speed Control Rod
63	750-0566A	1	/P	Spacer, .260 x .372 x 1.030
64	683-04005A	1		Clutch / Brake Pedal Assembly
65	735-0196	1	S	Foot Pad, 4.6
66	750-0802	1		Spacer, .640 x .76 x 2.63
67	720-04008	1		Shift Handle Grip
68	732-04017	1	S	Compression Spring, .89 x 1.75
69	736-0300	1	S	Flat Washer, .406 x .875 x .059
70	747-04039	1		Speed Control Rod
71	750-04080	1	S	Spacer, .640 x 1.0 x .78
72	725-1737A	1	S	Battery, 190 CCA
73	712-3027	1	S	Flange Lock Nut, 1/4-20
74	734-1675	1		Wheel Ass'y Complete
	634-0070	1	/P	Rim Assembly
	734-1596	1		Tire Only
	734-0255	1	S	Air Valve

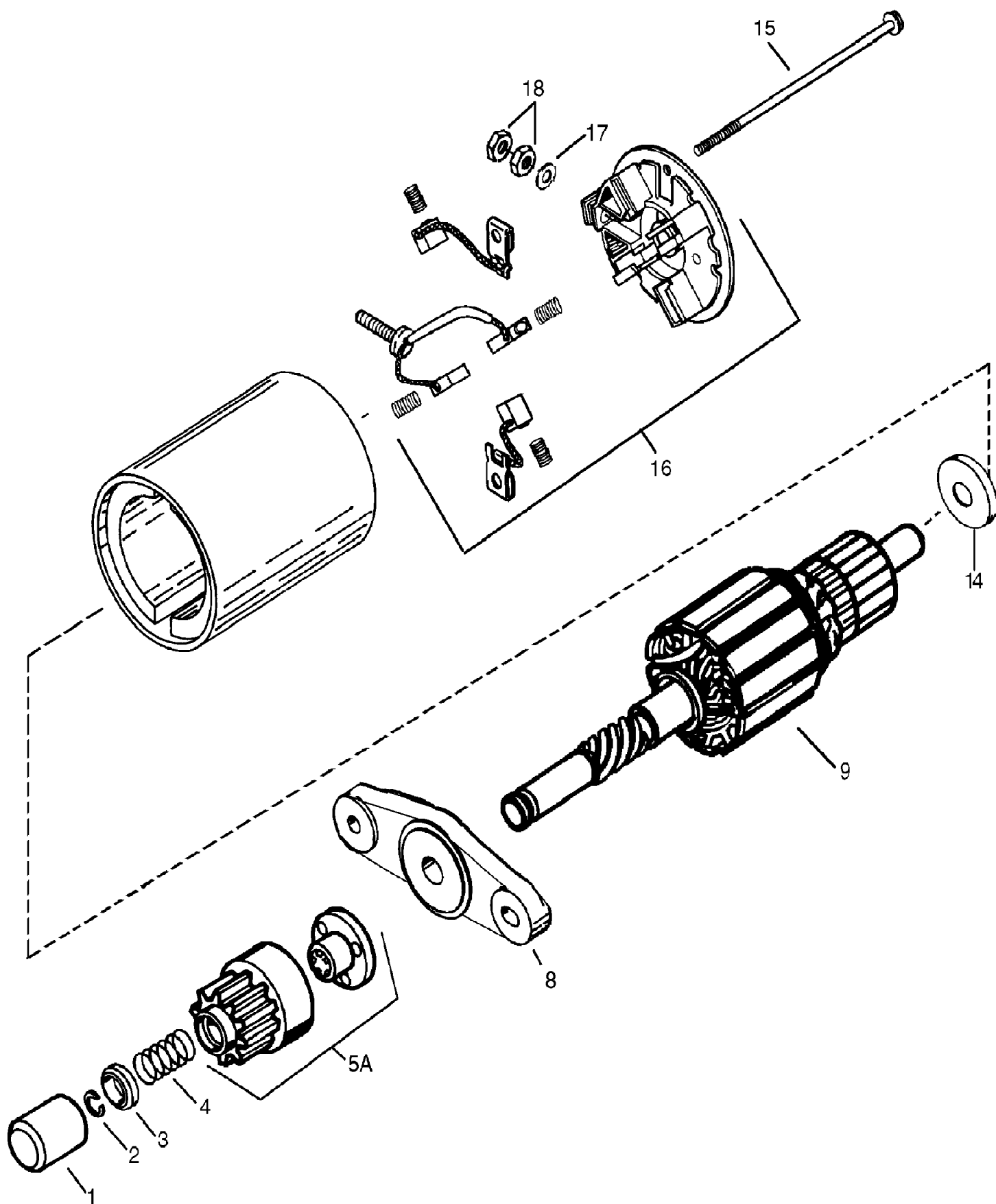


* Attach the short end of spring to the notch in the rear of Ref. No. 2. Attach the long end to Ref. No. 1.

13A2683G790 LT-175 (2004)
Seat, Fender Assembly

Page 24 of 30

Ref #	Part Number	Qty	S/P/F	Description
1	17239C	1	/P	Seat Lift Bracket
2	17950A	1	S	RH Pivot Support Bracket, Seat
3	17951A	1	S	LH Pivot Support Bracket, Seat
4	710-0227	1	/P	Self-tapping Screw, #8-18 x .50
5	710-0726	1	/P	Self-tapping Screw, 5/16-12 x .75
6	712-0429	1	S	Hex Lock Nut, 5/16-18
7	725-1303	1	S	Outer Seat Spring Switch
8	725-1439	1		Inner Seat Spring Switch
9	726-0278	1		Insulator Plate Boss
10	726-0279	1		Insulator Plate
11	732-0581B	1	S/F	Extension Spring, .75 x 5.31
12	738-0296	1	S	Shoulder Screw, .437 x .286
13	17770H	1	/P	Running Board
14	17870C	1	/P	Fender
15	710-0751	1	/P	Hex Screw, 1/4-20 x .620
16	710-1208	1	/P	Self-tapping Screw, 5/16-18 x 3.5
17	710-3008	1	/P	Hex Screw, 5/16-18 x .75
18	712-0429	1	S	Nylon Lock Nut, 5/16-18
19	712-3027	1	S	Flange Lock Nut, 1/4-20
20	732-04038	1	S	Compression Spring, 1.314 x 1.8
21	750-04212	1		Spacer
22	783-04139A	1		LH Running Board
23	710-0599	1	/P	Self-tapping Screw, 1/4-20 x .5
24	725-1643	1		Spring Switch, Long
25	726-0320	1	S	Insulator Nut Plate
26	726-3054	1		U-Clip Nut, 1/4-20
27	783-04050A	1	S	Shift Cover Panel, 8-speed
28	710-0870	1	/P	Screw, 3/8-16 x .625
29	738-04012	1	S	Shoulder Screw, .625 x .175, 3/8-16
30	783-04081A	1		Seat Pivot Bracket, Manual Adjust
31	710-0703	1	/P	Carriage Screw, 1/4-20 x .75
32	761-0168B	1	S	Blade Spindle Brake Assembly
33	757-04021	1	S	Low Back Seat, Black
34	710-0870	1	/P	Screw, 3/8-16 x .625
35	736-3008	1	S	Flat Washer, .344 x .750 x .120



13A2683G790 LT-175 (2004)
Starter

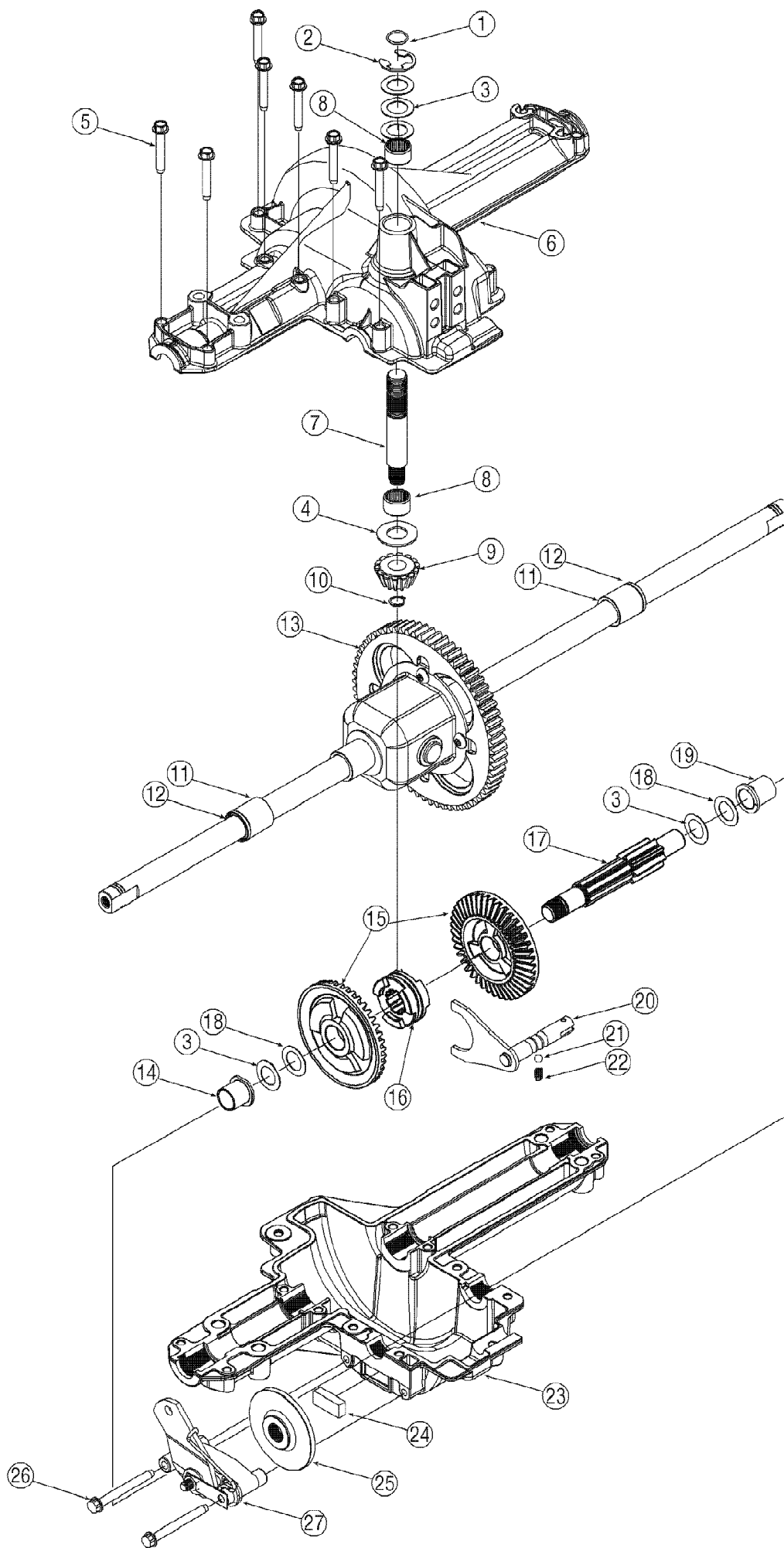
Page 26 of 30

Ref #	Part Number	Qty	S/P/F	Description
	TC-36795	1	/P	Electric Starter (12 Volt)
1	TC-33841	1		Dust Cover
2	TC-33842	1		Retainer Ring
3	TC-33843	1		Spring Retainer
4	TC-33854	1		Anti-drift Spring
5A	TC-36853	1		Gear & Nut (Incl. 2)
8	TC-36854	1		Drive End Cap Assembly
9	TC-36855	1		Armature
14	TC-35897	1		Thrust Washer
15	TC-36856	1		Case Bolt
16	TC-37442	1		End Cap & Brush Card Ass'y (Incl. 14, 17, & 18)
17	TC-650168	1		Washer
18	TC-650864	1	/P	Nut
	TC-758219	1	S	Replacement Engine
	TC-758218	1	S	Shortblock (not shown)

13A2683G790 LT-175 (2004)
Steering, Front Wheel And Axle

Page 28 of 30

Ref #	Part Number	Qty	S/P/F	Description
1	17198A	1	S	Retainer Gear Segment Plate
2	683-0002A	1	S	Steel Pivot Bar, .625
3	710-0514	1	/P	Hex Cap Screw, 3/8-16 x 1.0
4	710-0643	1	/P	Hex Cap Screw, 5/16-18 x 1.0
5	710-0726	1	/P	Self-tapping Screw, 5/16-12 x .75
6	710-0805	1	/P	Hex Cap Screw, 5/16-18 x 1.5
7	710-1309	1	/P	Machine Screw, 5/16-18 x .75
8	712-0240	1	S	Jam Nut, 7/16-20 (Grade 2)
9	712-0262	1	/P	Jam Nut, 3/8-24
10	712-0431	1	S	Flange Lock Nut, 3/8-16
11	712-3004A	1	/P	Flange Lock Nut, 5/16-18
12	714-0470	1	S	Cotter Pin, 1/8 x 1.25
13	717-1757A	1	/P	Steering Segment Gear
14	723-0448A	1	S	Ball Joint, 7/16 -20
15	726-0214	1	/P	Push Cap, .625
16	731-0484A	1	S	Hub Cap
17	736-0187	1	/P	Flat Washer, .64 x 1.24 x .060
18	741-0487A	1	S	Flange Bearing
19	736-0242	1	/P	Bell Washer, .34 x .872 x .060
20	736-0356	1	S	Bell Washer, .391 x .380 x .062
21	731-04065	1		Steering Wheel Cap, Large
22	738-0141	1	S	Shoulder Screw, .435 x .350, 5/16-18
23	738-0527	1	S	Shoulder Screw, .498 x 2.045
24	738-0919	1	S	Steering Shaft, 21.86
25	741-0475	1	S	Plastic Bushing, .38 ID
26	736-0162	1	/P	Flat Washer, .64 x 1.0 x .12
27	741-0656	1	S	Hex Flange Bearing, 5/8
28	736-0285	1	/P	Flat Washer, .635 x 1.589 x .06
29	747-1268B	1	/P	Steering Drag Link, 7/16-20
30	748-0389	1	S	Cap, 1.25 x .16
31	748-04014B	1	S	Steering Arm
32	748-04020	1	S	Spacer, 1.0 x .645 x .56
33	750-0535	1	S	Spacer, .380 x .625 x .21
34	783-0041D	1		Pivot Bar Bracket
35	631-04008	1	S	Steering Wheel, Three Spoke Soft Grip
36	747-04057	1		Tie Rod
37	731-04058	1		Axle End Cap w/ Fitting
38	634-0056A	1	S	Wheel Ass'y Complete
	634-0172	1		Rim Assembly
	741-0706	1	S	Inner Bearing (Flange w/Fitting)
	741-0487A	1	S	Outer Bearing (Plastic Flange)
	734-0864	1	/P	Tire Only (15 x 6 x 6)
	734-0255	1	S	Air Valve
39	683-04016	1	S	RH Axle Assembly
	683-04015	1	S	LH Axle Assembly



13A2683G790 LT-175 (2004)
Transmission Assembly

Page 30 of 30

Ref #	Part Number	Qty	S/P/F	Description
1	732-0614	1		Ring, Wire
2	716-0231	1	S	Ring, E Type,.750
3	736-0336	1	S	Flat Washer, 5/8 x 1.0 x.030 Use applicable flat washer (ref. #'s 3 or 18) in this application allowing .0150/.0020 in. end-play
3	736-0337	1	S	Flat Washer, 5/8 x 1.0 x.040 Use applicable flat washer (ref. #'s 3 or 18) in this application allowing .0150/.0020 in. end-play
3	736-0349	1	S	Flat Washer, 5/8 x 1.0 x.020 Use applicable flat washer (ref. #'s 3 or 18) in this application allowing .0150/.0020 in. end-play
4	736-0335	1	S	Washer, Thrust.635 x 1.26 x.06
5	710-1325	1	/P	Self-tapping Screw, 1/4-20 x 1.625
6	719-04017	1	S	Upper Housing
7	711-1109	1		Input Shaft
8	741-0335	1	S	Needle Bearing,.625 x.813 x.495
9	717-1464	1		14-tooth Bevel Pinion
10	716-0108	1	S	Retaining Ring,.437
11	741-0340	1	S	Sleeve Bearing,.75 x 1.0 x 1.0
12	721-0338	1	S	Seal,.75 x 1.0 x.125
13	618-04041A	1	S	Differential Assembly
14	741-0336	1	S	Flange Bearing, 5/8 x 3/4 x 3/4
15	717-04056	1	S	42-tooth Bevel Gear
16	718-04045	1	S	Clutch Collar
17	711-04134	1	S	Drive Shaft
18	736-0495	1	S	Thrust Washer, 1.0 x.632 x.0 Use applicable flat washer (ref. #'s 3 or 18) in this application allowing .0150/.0020 in. end-play
18	736-0494	1		Flat Washer,.632 x 1.00 x.035 Use applicable flat washer (ref. #'s 3 or 18) in this application allowing .0150/.0020 in. end-play
19	741-0337	1	S	Flange Bearing, 5/8 x 3/4 x 15/16
20	611-0011	1	S	Detent Shaft Assembly
21	741-0862	1	/P	Detent Ball
22	732-0863	1	S	Compression Spring
23	719-04018	1	S	Lower Housing
24	717-0678	1	S	Brake Puck
25	761-0202	1		Brake Disc
26	710-1206	1	/P	Self-tapping Screw, 1/4-20 x 2.375
27	661-0001	1	S	Brake Assembly
	737-0148	1	S	Grease (19 oz.)
	918-04034	1	S	Transmission, Single-speed